

ANTI-PIRACY PACKAGES

ASE | SOLUTIONS



ASE has collaborated with ship's engineers, vessel owners and their IT teams, and battery back-up professionals to bring you (in our opinion) the best in Anti-Piracy solutions. Our on target product packages begin with our powerful ASE-MC05G Citadel unit and add a single cable (up to 100 meters) for power, phone, and ethernet (for configuration). Maritime Battery Back-up to power the system beyond 72 hours is available.

RESOURCES:

CLICK ON THE LINKS TO ACCESS THE PRODUCT RESOURCES AND FILES ON ASE DROPBOX

ASE-MC05G CITADEL ANTI-PIRACY SYSTEM



CLICK HERE

USER GUIDE: Users manual for ASE-MC05G CITADEL system.

INSTALLATION MANUAL: Installation manual for ASE-MC05G CITADEL system.

TROUBLESHOOTER: Troubleshooting guide for ASE-MC05G CITADEL system.

BOAT VIDEO: Use case video for ASE-MC05G CITADEL system.

IMAGES: Black Citadel ADU system on a rail.
White Citadel ADU system on a rail.

PRODUCT BROCHURE: Citadel Solutions ASE-CIT03 CITADEL system brochure.
Citadel Solutions ASE-CIT02 CITADEL system brochure.
Citadel Solutions ASE-CIT01 CITADEL system brochure.

DRAWING: Junction box.
Junction box top.

DRAWING: Phone Cabinet schematic and mounting.

DRAWING: Mounting Bracket schematic and mounting.

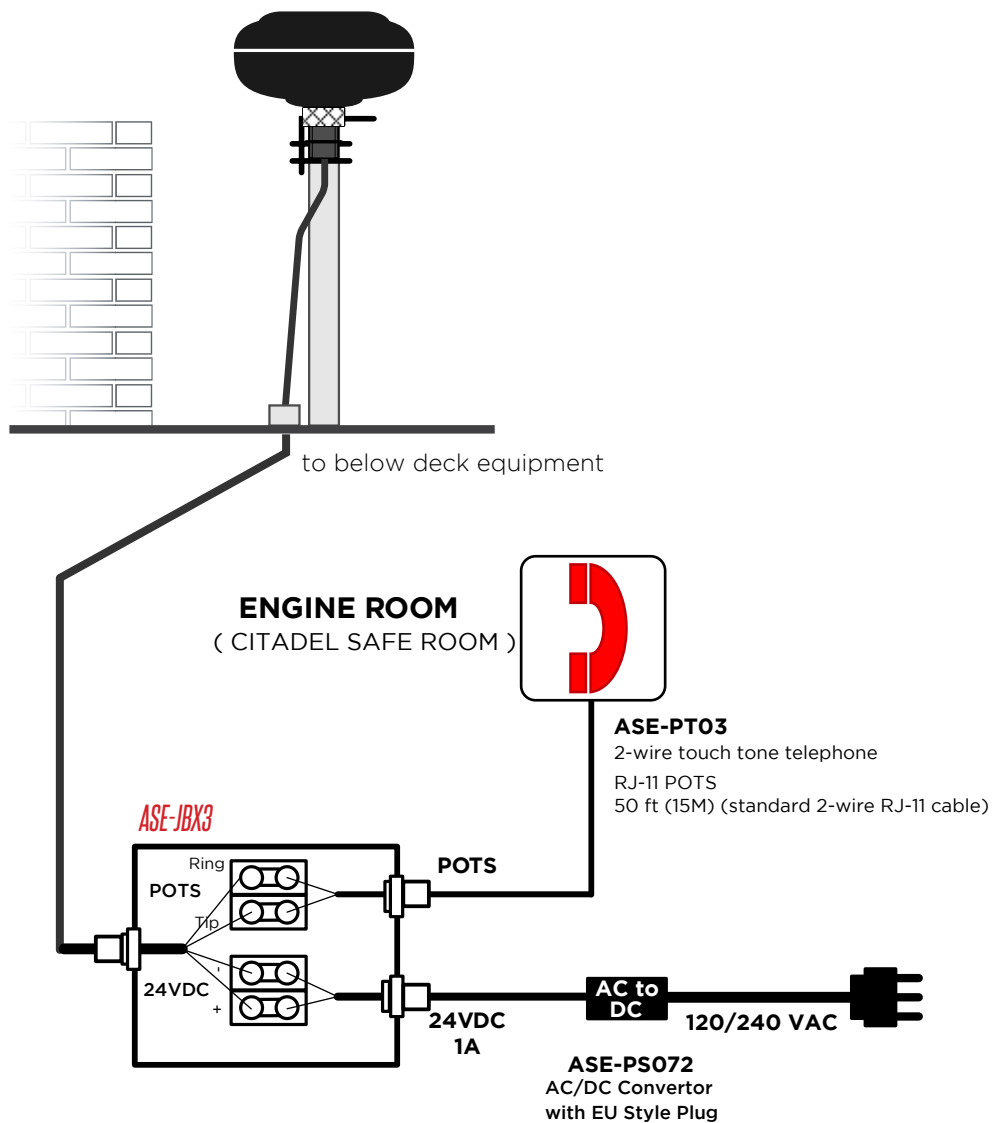
DRAWING: Cable Composite.

ANTI-PIRACY PACKAGES

CITADEL PACKAGE EXTENDED (ASE-CIT03)- VOICE TERMINAL with Built-in Antenna and GPS:

includes ADU (MC05G), POTS phone (ASE-PT03), X length cable (13XXXT), junction box (JBX3) with AC/DC power supply and fused cable, and mounting bracket (MNT-20).

ASE-CIT03 OPTIONS:	CABLE LENGTHS:	ADU SHELL COLORS:
	ASE-13328T - 328' (100 meters)	Black
	ASE-13150T - 150' (46 meters)	White



Harmonized Code - HTS#: 8517.62.0050 **ECCN:** 5A992.a

Shipping Dimensions ASE-CIT03-328: 22 x 18 x 16, 35 LBS (56cm x 46cm x 41cm, 16kg)

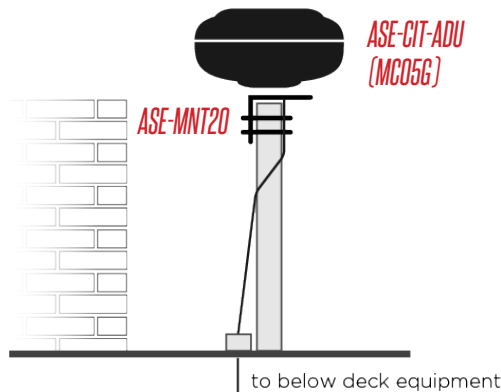
Shipping Dimensions ASE-CIT03-150: 20 x 14 x 14, 25 LBS (51cm x 36cm x 36cm, 11kg)

ANTI-PIRACY PACKAGES

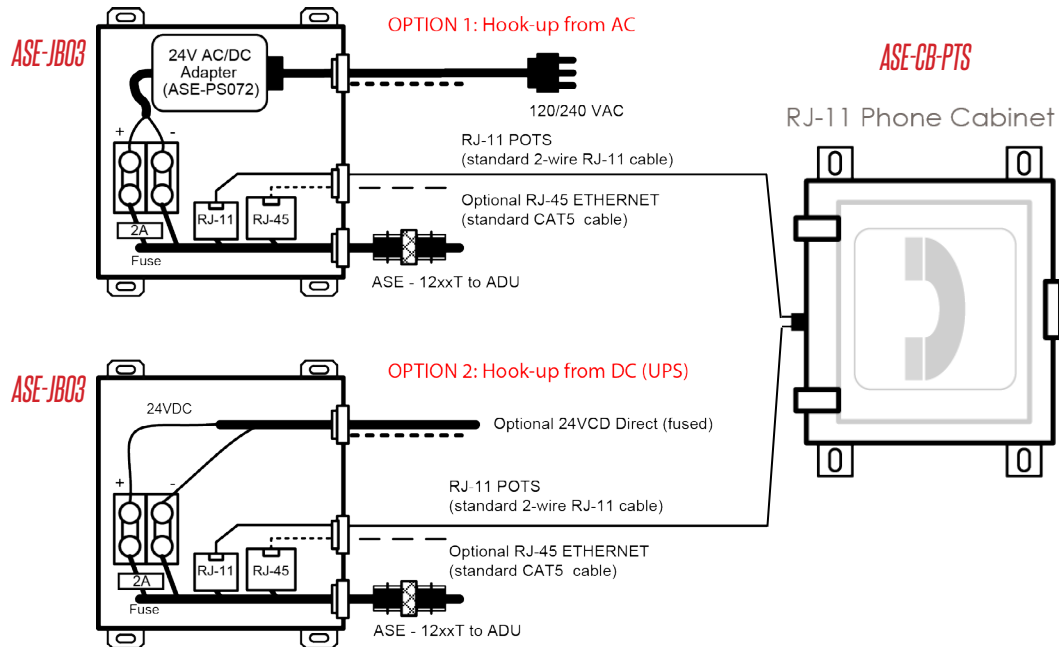
CITADEL PACKAGE EXTENDED (ASE-CIT02)- VOICE TERMINAL with Built-in Antenna and GPS:

includes ADU (MC05G), POTS phone in lockable cabinet (CB-PTS), X length cable (12XXXXT), junction box (JB03) with AC/DC power supply and fused cable, and mounting bracket (MNT-20).

ASE-CIT02 OPTIONS:	CABLE LENGTHS:	ADU SHELL COLORS:
	ASE-CIT02-328 - 328' (100 meters)	Black
	ASE-CIT02-150 - 150' (46 meters)	White
	CUSTOM LENGTHS AVAILABLE FOR FLEETWIDE INSTALLATIONS	



The junction box provides the termination point for the Citadel cable. Terminated inside the junction box is POTS (2-wire RJ-11), ethernet (CAT5), and power (24VDC).



Harmonized Code - HTS#: 8517.62.0050 **ECCN:** 5A992.a

Shipping Dimensions ASE-CIT02-328: 22 x 18 x 16, 35 LBS (56cm x 46cm x 41cm, 16kg)

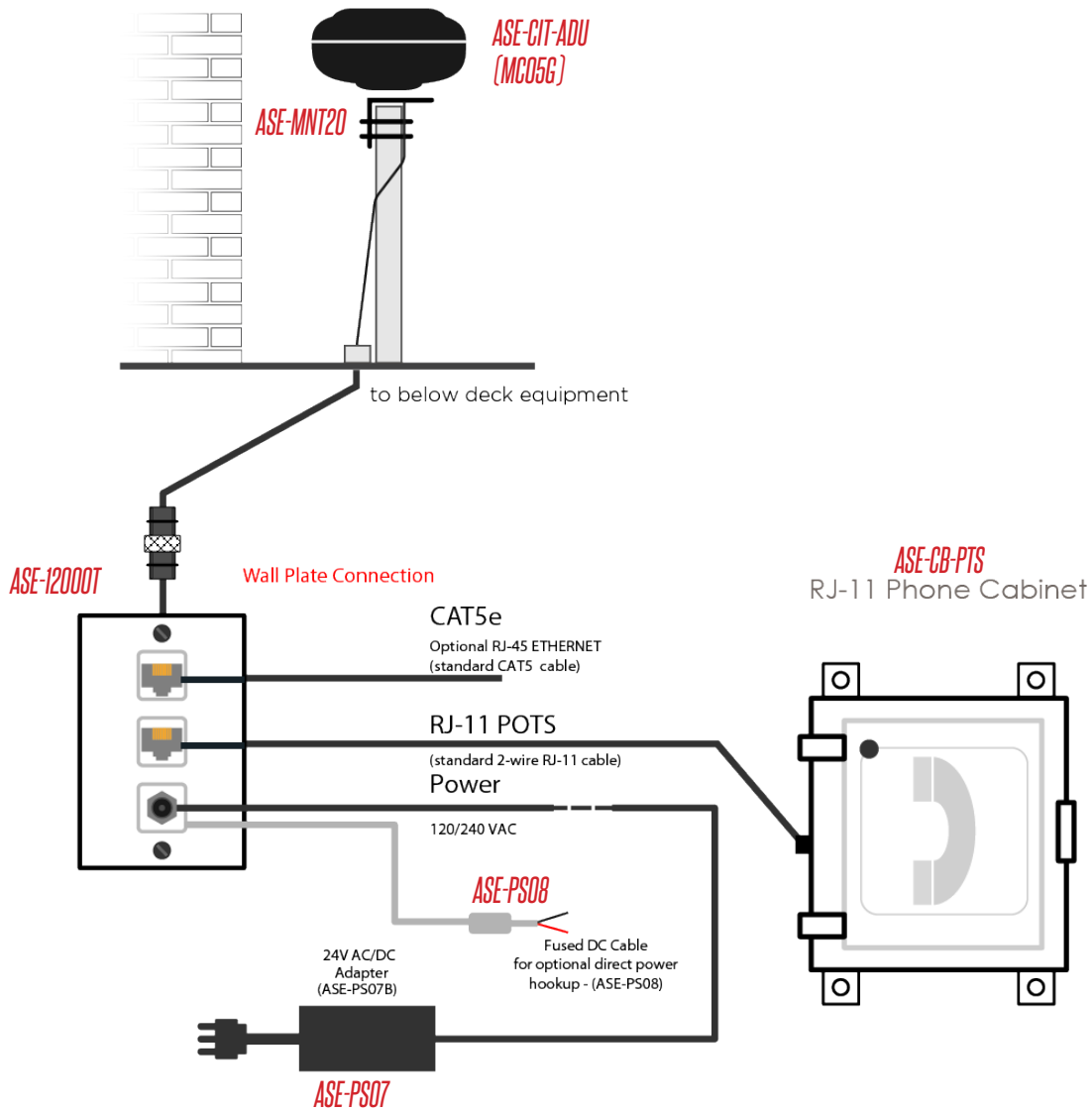
Shipping Dimensions ASE-CIT02-150: 20 x 14 x 14, 25 LBS (51cm x 36cm x 36cm, 11kg)

ANTI-PIRACY PACKAGES

CITADEL PACKAGE (ASE-CIT01) - VOICE TERMINAL with Built-in Antenna and GPS:

includes ADU (MC05G), POTS phone in lockable cabinet (CB-PTS), 150' length cable (12150T), breakout adapter with plastic wall plate (ASE-12000T) with AC/DC power supply and fused cable, and mounting bracket (MNT-20).

ASE-CIT01 OPTIONS:	CABLE LENGTHS:	ADU SHELL COLORS:
	ASE-CIT01-150 - 150' (46 meters) CABLE EXTENSIONS AVAILABLE	Black White



Harmonized Code - HTS#: 8517.62.0050 **ECCN:** 5A992.a
Shipping Dimensions: 20 x 14 x 14, 25 LBS (51cm x 36cm x 36cm, 11 kg)

ANTI-PIRACY PACKAGE COMPONENTS

<p>ASE-CIT-ADU</p>	<p>Replacement Above Deck Unit - includes transceiver, mount and breakout cable</p> <p>Harmonized Code - HTS#: 8517.62.0050 ECCN: 5A992.a</p> <p>Shipping Dimensions: 14 x 10 x 10, 6 LBS (36cm x 25cm x 25cm, 3 kg)</p>	
<p>ASE-MNT20</p>	<p>Mounting System for ComCenter Outdoor - vibration mount bracket with horizontal or vertical mounting options</p> <p>Harmonized Code - HTS#: 8544.20.0000 ECCN: EAR99</p> <p>Shipping Dimensions: 8 x 8 x 8, 2 LBS (20cm x 20cm x 20cm, 1 kg)</p>	
<p>ASE-JB03</p>	<p>Junction Box for the ComCenter Outdoor - junction box for cable terminations (RJ11/RJ45/Power), AC/DC power supply and fused cable metal with water resistant glands</p> <p>Harmonized Code - HTS#: 8504.40.8500 ECCN: EAR99</p> <p>Shipping Dimensions: 10 x 14 x 3, 7 LBS (25cm x 36cm x 8cm, 5 kg)</p>	
<p>ASE-CB-PTS</p>	<p>Wall Mount POTS phone with Lockable Cabinet - POTS phone, lockable cabinet, instruction placard for Emergency Dialing</p> <p>Harmonized Code - HTS#: 8518.30.2000 ECCN: EAR99</p> <p>Shipping Dimensions: 13 x 9 x 11, 8 LBS (33cm x 23cm x 28cm, 4 kg)</p>	
<p>ASE-12000T</p>	<p>RJ11 and RJ45 cable adapter for the ComCenter Outdoor - cable adapter for the ComCenter Outdoor - RJ11/RJ45/Power and plastic wall plate</p> <p>Harmonized Code - HTS#: 8544.20.0000 ECCN: EAR99</p> <p>Shipping Dimensions: 8 x 8 x 3, 2 LBS (20cm x 20cm x 8cm, 1 kg)</p>	
<p>ASE-12050T</p>	<p>50' (15m) Cable for ComCenter II Outdoor - turret connection 1" (3cm) diameter</p> <p>Harmonized Code - HTS#: 8544.20.0000 ECCN: EAR99</p> <p>Shipping Dimensions: 20 x 16 x 8, 3 LBS (51cm x 41cm x 20cm, 2 kg)</p>	
<p>ASE-12100T</p>	<p>100' (30m) Cable for ComCenter II Outdoor - turret connection 1" (3cm) diameter</p> <p>Harmonized Code - HTS#: 8544.20.0000 ECCN: EAR99</p> <p>Shipping Dimensions: 20 x 16 x 8, 6 LBS (51cm x 41cm x 20cm, 3 kg)</p>	

ANTI-PIRACY PACKAGE COMPONENTS

<p>ASE-12150T</p>	<p>150' (46m) Cable for ComCenter II Outdoor - turret connection 1" (3cm) diameter</p> <p>Harmonized Code - HTS#: 8544.20.0000 ECCN: EAR99</p> <p>Shipping Dimensions: 20 x 16 x 8, 9 LBS (51cm x 41cm x 20cm, 4 kg)</p>	
<p>ASE-12328T</p>	<p>328' (100m) Cable for ComCenter II Outdoor - turret connection 1" (3cm) diameter</p> <p>Harmonized Code - HTS#: 8544.20.0000 ECCN: EAR99</p> <p>Shipping Dimensions: 20 x 16 x 8, 16 LBS (51cm x 41cm x 20cm, 7 kg)</p>	
<p>ASE-13150T</p>	<p>150' (46m) Cable for ComCenter II Outdoor - turret connection 1" (3cm) diameter (ADU connection), unterminated (junction box connection)</p> <p>Harmonized Code - HTS#: 8544.20.0000 ECCN: EAR99</p> <p>Shipping Dimensions: 20 x 16 x 8, 9 LBS (51cm x 41cm x 20cm, 4 kg)</p>	
<p>ASE-13328T</p>	<p>328' (100m) Cable for ComCenter II Outdoor - turret connection 1" (3cm) diameter (ADU connection), unterminated (junction box connection)</p> <p>Harmonized Code - HTS#: 8544.20.0000 ECCN: EAR99</p> <p>Shipping Dimensions: 20 x 16 x 8, 16 LBS (51cm x 41cm x 20cm, 7 kg)</p>	
<p>ASE-PT03</p>	<p>POTS Phone - 2-wire touch tone telephone, 50 ft (15M) standard 2-wire RJ-11 cable</p> <p>Harmonized Code - HTS#: 8544.20.0000 ECCN: EAR99</p> <p>Shipping Dimensions: 12 x 8 x 3, 2 LBS (30cm x 20cm x 8cm, 1 kg)</p>	
<p>ASE-PS072</p>	<p>24V AC/DC Power Adapter - 24V AC/DC power adapter with EU style plug and unterminated end (junction box connection)</p> <p>Harmonized Code - HTS#: 8544.20.0000 ECCN: EAR99</p> <p>Shipping Dimensions: 12 x 8 x 3, 2 LBS (30cm x 20cm x 8cm, 1 kg)</p>	
<p>ASE-PS07</p>	<p>24V AC/DC Power Adapter - 24V AC/DC power adapter</p> <p>Harmonized Code - HTS#: 8544.20.0000 ECCN: EAR99</p> <p>Shipping Dimensions: 12 x 8 x 3, 2 LBS (30cm x 20cm x 8cm, 1 kg)</p>	